

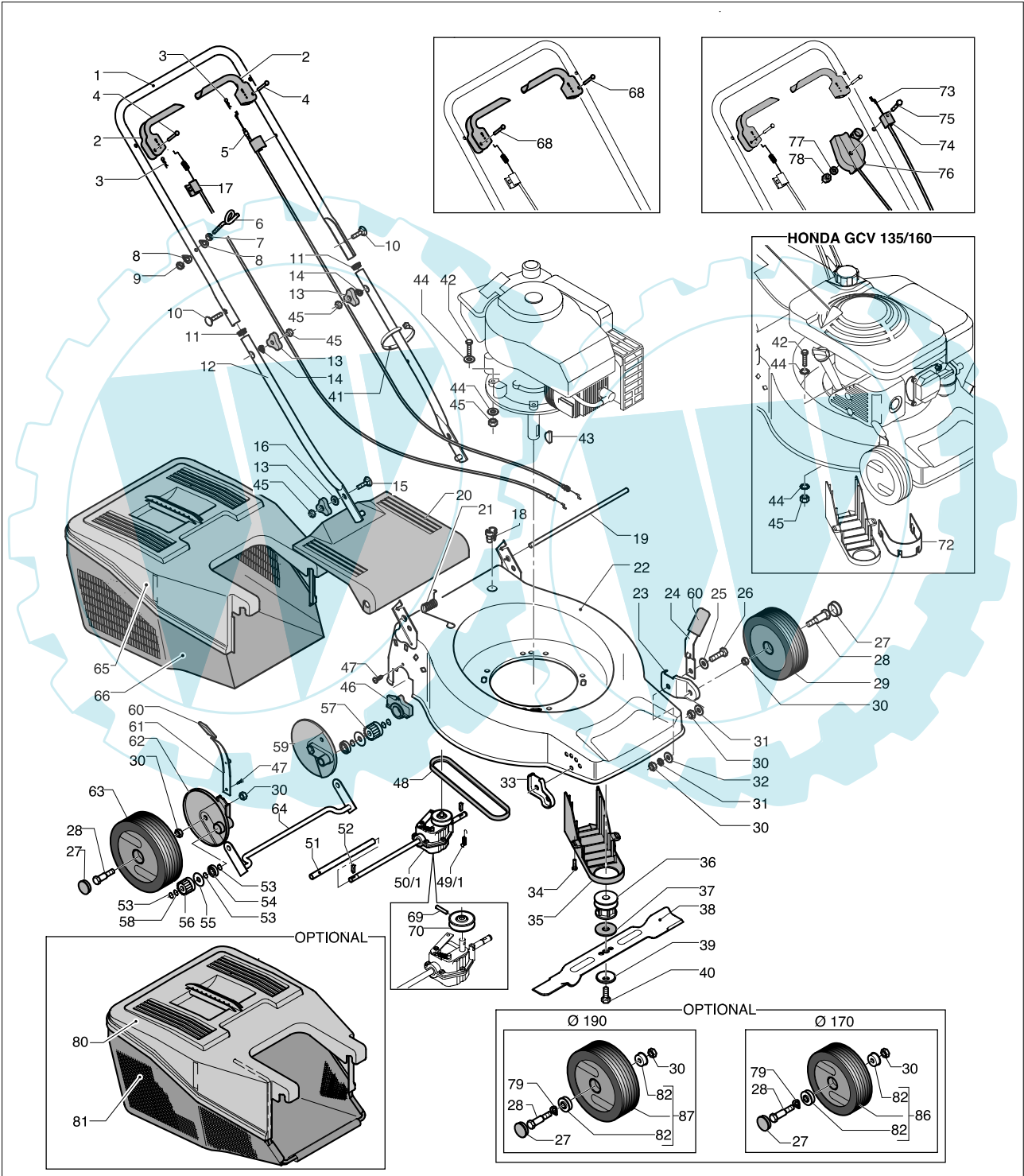
brand	<b>MEP</b>
-------	------------

date	JAN/02	SHEET 1/3
------	--------	-----------

Model

<b>TV 460SP</b>

Product number

**TRVOLI**

**The Electrolux Group. The world's No.1 choice.**

Ihr Ersatzteilspezialist im Internet

brand	<b>MEP</b>
-------	------------

date	JAN/02	SHEET 2/3
------	--------	-----------

<b>TV 460SP</b>
-----------------

Pos.	PN ELX	PN MEP	DESCRIZIONE	DESCRIPTION	DESCRIPTION	Q.ty	NOTE
1	531206069	10150123	manico superiore	upper handle	guidon superieur	1	
2	531206027	10146633	maniglia	lever	manette	2	
3	531207408	10651300	copiglia	cotter pin	goupille	2	1.1x17
4	531207409	10651400	perno	pin	pivot	2	
5	531206025	10146610	cavo freno	cable	cable	1	TECNA
5	531206026	10146620	cavo freno	cable	cable	1	B&S
6	531205169	10121470	gancio	cable hook	crochet	1	
7	531207165	10501200	dado	nut	ecrou	1	M6 H6 UNI 5587-6S-ZB
8	531204961	10115900	rondella ondulata	washer	rondelle	2	6,5E
9	531208491	20281800	dado	nut	ecrou	1	M6 H8 UNI7473-ZB
10	531207089	10402401	vite	screw	vis	2	TTSQ M8x50 TF ZB
11	531208950	20833303	tappo	plug	bouchon	2	
12	531206071	10150133	manico inferiore	handle lowere	guidon inferieur	1	
13	531204923	10114303	pomolo	knob	poignée	4	
14	531207090	10402402	rondella	washer	rondelle	2	8x16x1,5 ZB
15	531204921	10114100	vite	screw	vis	2	TTSQ M8x25 T.FIL.ZB
16	531204922	10114200	rondella ondulata	washer	rondelle	2	8,5
17	531206024	10146600	cavo frizione	clutch cable	cable d'embrayage	1	
18	531205557	10135413	fermacavo	cable lock	arret du cable	1	
19	531205060	10120530	tirante	tie rod	entretoise	1	
20	531205984	10146213	paratoia	deflector	deflecteur	1	
21	531205999	10146330	molla	spring	ressort	1	
22	531210971	1015019V	scocca	deck	chassis	1	ORANGE
23	531204914	10107301	supporto ruota	wheel bearing	support de roues	1	SX
24	531207985	20107201	leva alzaruote	lever	levier	2	UNI 8840 B12 (13/24/1)
25	531206020	10146530	rondella	washer	rondelle	2	
26	531204912	10107100	vite	screw	vis	2	
27	531204939	10114807	tappo	plug	bouchon	4	
28	531205042	10120090	vite	screw	vis	4	
29	531205190	10121587	ruota	wheel	roue	2	STD D.170/13 RIGATA
30	531207978	20101700	dado	nut	ecrou	8	M10 H8 UNI 5588-6S ZB
31	531208974	30102100	rondella	washer	rondelle	4	10E
32	531207989	20113000	rondella	washer	rondelle	2	10x30x2,5
33	531204915	10107302	supporto ruota	wheel bearing	support de roues	1	DX
34	531207856	10831800	vite	screw	vis	3	TEFR 5x10 ZB PASSO
35	531205047	10120183	carter	housing	carter	1	
36	531205048	10120200	supporto lama	bearing blade	support lame	1	
37	531207243	10531700	rondella	washer	rondelle	1	17,2x50x1,5+0,1
38	531205072	10120680	lama	blade	lame	1	
39	531207237	10530900	rondella	washer	rondelle	1	11x50x2,5
40	531208008	20120580	vite	screw	vis	1	TE 3/8 UNFx37- 8,8 1/2F ZB
41	531205581	10135600	fascetta	clamp	colier	2	160X4,5
42	531205196	10121700	vite	screw	vis	3	TE M8x35 UNI 5739-8,8-ZB
42	531207044	10390800	vite	screw	vis	3	TE M8X40-HONDA
42	531205196	10121700	vite	screw	vis	2	TE M8X35-XM60
42	531206681	10291000	vite	screw	vis	1	TE M8X60-XM60



brand	<b>MEP</b>
-------	------------

date	JAN/02	SHEET 3/3
------	--------	-----------

<b>TV 460SP</b>
-----------------

Pos.	PN ELX	PN MEP	DESCRIZIONE	DESCRIPTION	DESCRIPTION	Q.ty	NOTE
43	531204907	10100900	chiavetta	key	clavette	1	4x6,5 UNI6606 WODRUF
44	531207981	20106200	rondella dentata	washer	rondelle	3	D.8E DIN 6798
45	531207982	20106300	dado	nut	ecrou	7	M8 H8 UNI 5587-6S ZB
46	531205944	10146093	supporto	bearing	support	2	
47	531208216	20135720	vite	screw	vis	3	TCTC 2F D5x16 AC
48	531207280	10548500	cinghia	belt	courroie	1	Z 27 3L 285
49	531205216	10121920	molla tendicinghia	cutter-tightener spring	ressort tendeur courroie	1	PLASTIC
49/1	531206182	10155210	molla tendicinghia	cutter-tightener spring	ressort tendeur courroie	1	ALUM
50	531204755	09767400	riduttore	reducer	reducteur	1	PLASTIC
50/1	531204759	09767900	riduttore	reducer	reducteur	1	ALUM
51	531207697	10766503	tubetto distanziale	spacer tube	toyau entretoise	1	
52	531205108	10121160	chiavetta	key	clavette	2	"S" 5x5(- 0,05)x19,2 DIAG
53	531208772	20655800	seeger	seeger	seeger	6	D.12E DIN 471
54	531208778	20657600	cuscinetto	ball-bearing	roulement	2	D.12/28/8 6001/2RS
55	531207847	10831200	rondella	washer	rondelle	2	D.12/34/0,7 ZB
56	531205045	10120160	pignone	pinion	pignon	1	DX
57	531205046	10120170	pignone	pinion	pignon	1	SX
58	531208859	20761300	rondella	washer	rondelle	2	D.12,4x17x0,3
59	531205194	10121663	flangia	flange	bride	1	
60	531207986	20107203	guaina	sheating	gaine	3	
61	531205228	10121970	leva alzaruote	lever	levier	1	
62	531205195	10121673	flangia	flange	bride	1	
63	531205182	10121567	ruota posteriore	posterior wheel	roue posterieur	2	D.190/13 C/INGR.RIG
64	531205210	10121840	assale posteriore	rear axle	assieu arriere	1	
65	531208296	20146113	coperchio cesto	grass cover	couv.panier	1	
66	531208313	20146593	fondo cestello	grass catcher bottom	bac inferieur	1	
68	531206032	10146713	perno	pin	pivot	2	D6x36.5 NYLON
69	531207703	10768400	spina elastica	resilient pin	goupille expansible	1	
70	531208899	20768203	puleggia	pulley	pouille carter	1	
72	531206031	10146690	inserto copricinghia	housing	carter	1	
73	531205813	10140950	cavo freno	cable	cable	1	HONDA
73	531205192	10121620	cavo freno	cable	cable	1	1420/141,5- TECNA
73	531205191	10121610	cavo freno	cable	cable	1	B&S
74	531208043	20121983	supporto	bearing	support	1	
75	531206212	10155420	vite	screw	vis	1	TE M5x60
76	531206210	10155360	acceleratore	accelerador	accélérateur	1	B&S
76	531206030	10146670	acceleratore	accelerador	accélérateur	1	mm. 1070/48 TEC-HONDA
77	531206666	10284700	rondella	washer	rondelle	1	5/15/1,5
78	531205213	10121890	dado	nut	ecrou	1	M5
79	531206644	10275100	rosetta	washer	rondelle	4	
80	531205949	10146113	coper.sacco /telaio	sack frame upper	cadre sac superieur	1	
81	531208306	20146303	sacco	sac	sac	1	
82	531205214	10121900	cuscinetto	ball-bearing	roulement	8	
86	531204396	09121577	ruota anteriore	front wheel	roue anterieur	2	D170/26 RIG
87	531204392	09121557	ruota posteriore	posterior wheel	roue posterieur	2	D190/26

